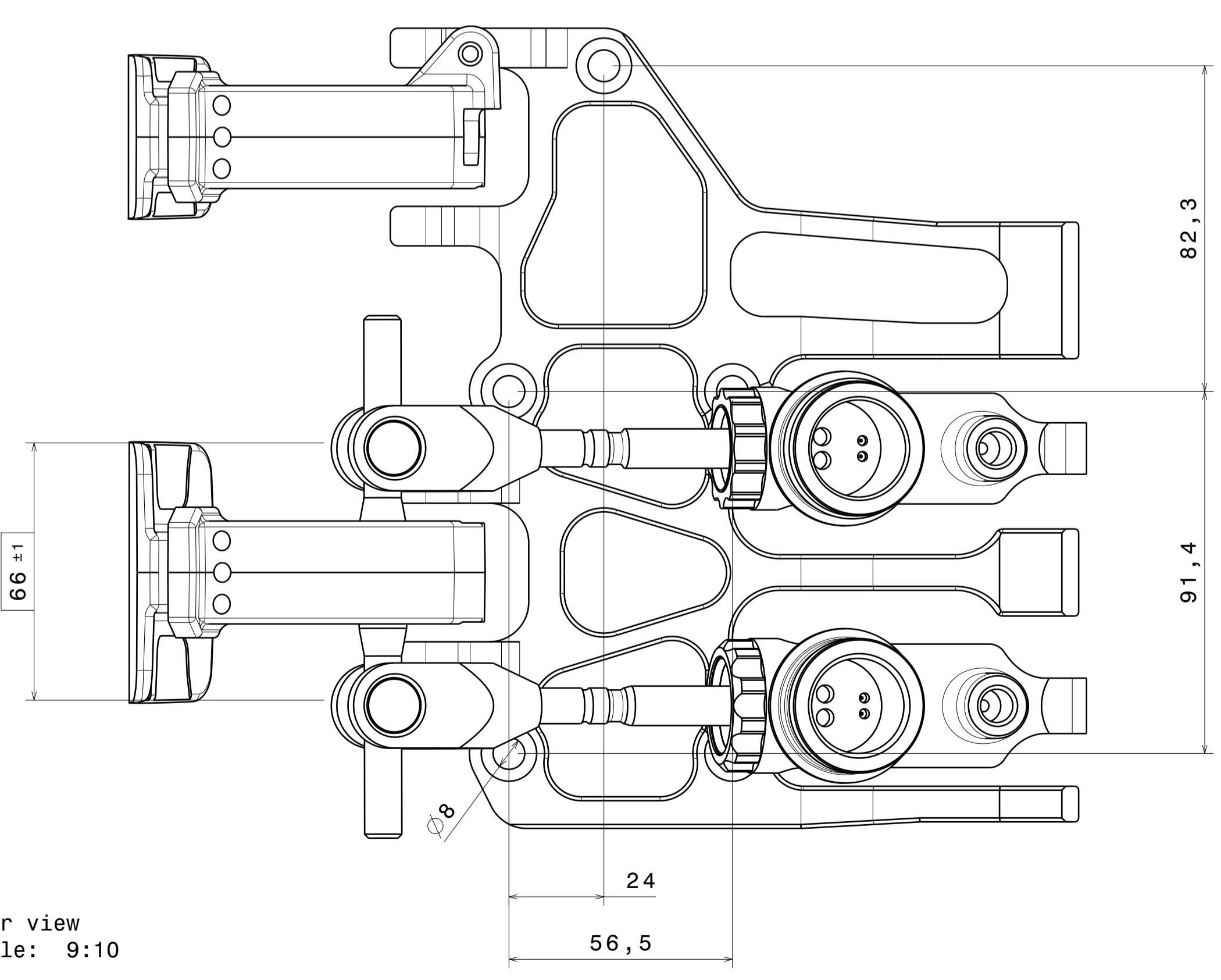
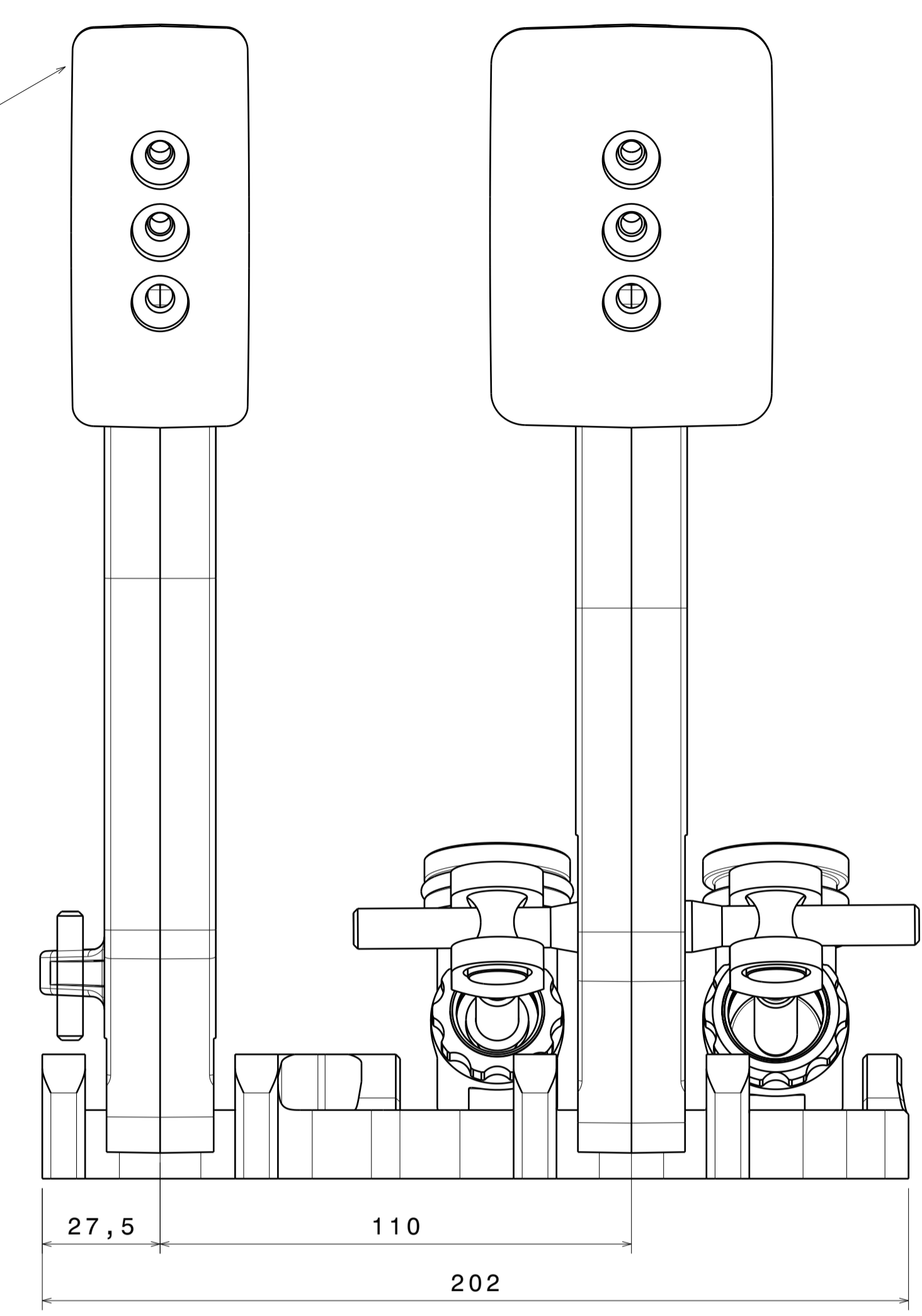
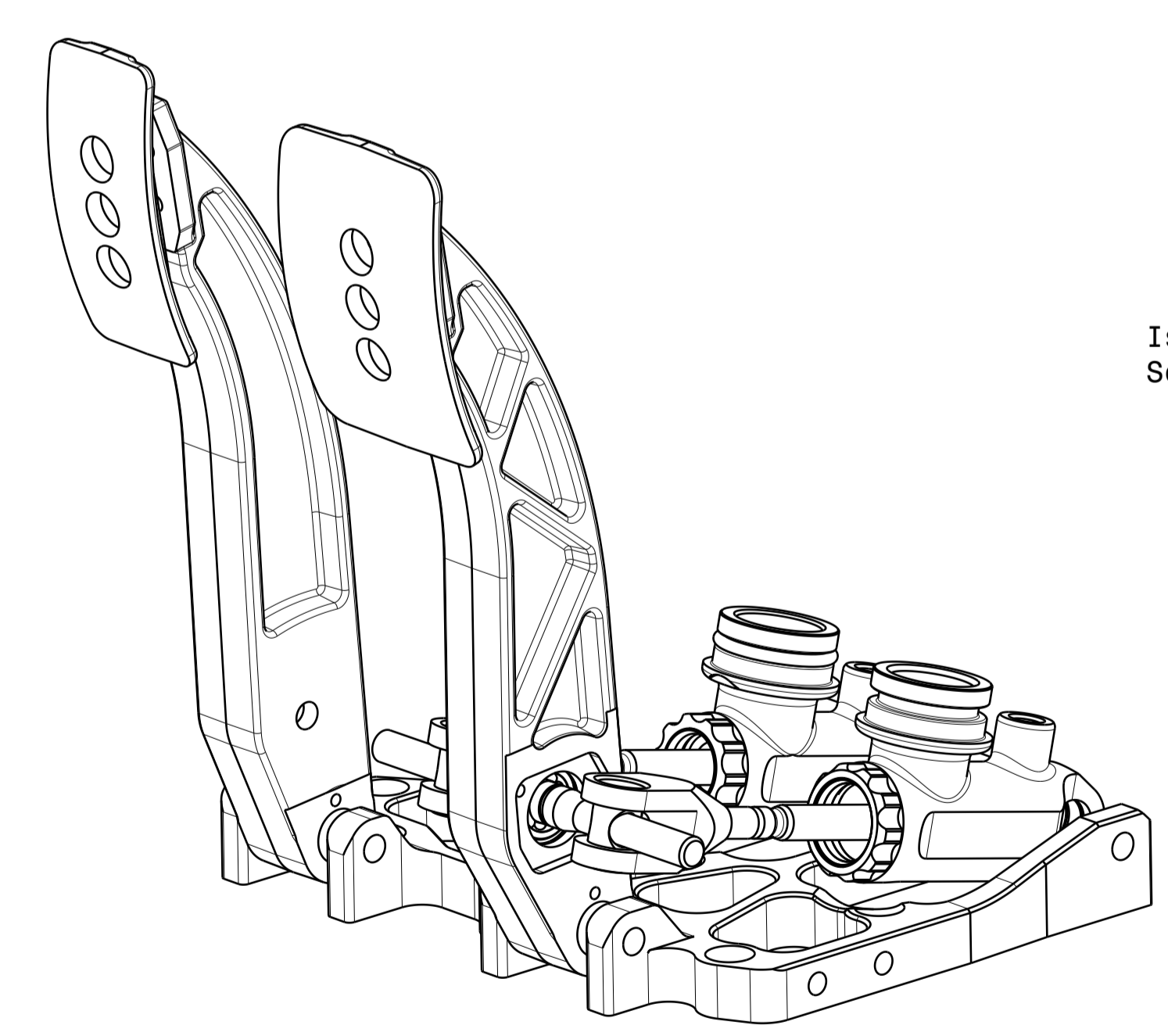


ALL PEDALS
 0.67 (17mm) TOTAL HEIGHT ADJ. 2 POS
 0.63 (16mm) TOTAL HORIZONTAL ADJ. 3POS

	PEDAL RATIO
UP	6:1
DOWN	5,4:1



**VERY IMPORTANT FOR
CORRECT FUNCTIONING**



DESIGNED BY: Dise		PEDAL ASSEMBLIES SERIE 96	I	-
DATE:			H	-
CHECKED BY:			G	-
DATE:			F	-
SIZE A1		E	-	
SCALE 11:9		D	-	
WEIGHT (kg)		C	-	
CODIGO		B	-	
		A	-	

This drawing is our property; it can't be reproduced or communicated without our written agreement.